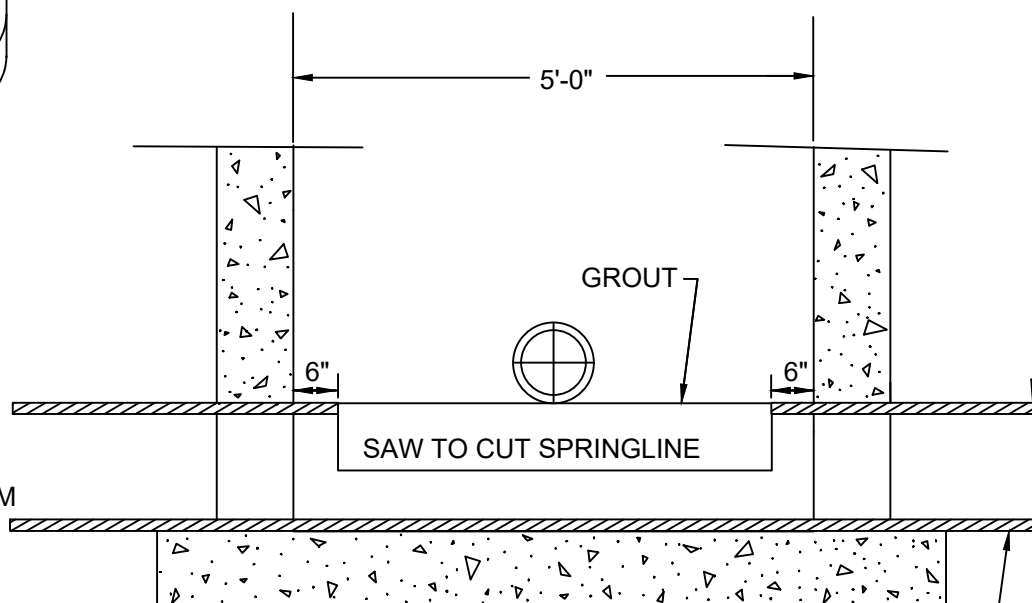


SECTION AT RIGHT ANGLE TO EXISTING MAIN



SECTION ALONG CENTERLINE OF EXISTING MAIN

NOTES:

1. FLOW SHALL BE MAINTAINED DURING CONSTRUCTION.
2. THIS DETAIL TO BE USED WHEN A 6" OR LARGER LATERAL NECESSITATES CONSTRUCTION OF A NEW MANHOLE.
3. THE CONTRACTOR SHALL PROVIDE A MINIMUM 9" COMPACTED # 67 STONE BASE.
4. FOR USE ON DIP, CONCRETE, AND PVC ONLY. (NOT ALLOWED ON VCP)
5. BASE TO BE POURED WITH #5 REINFORCING BARS IN A GRID PATTERN.